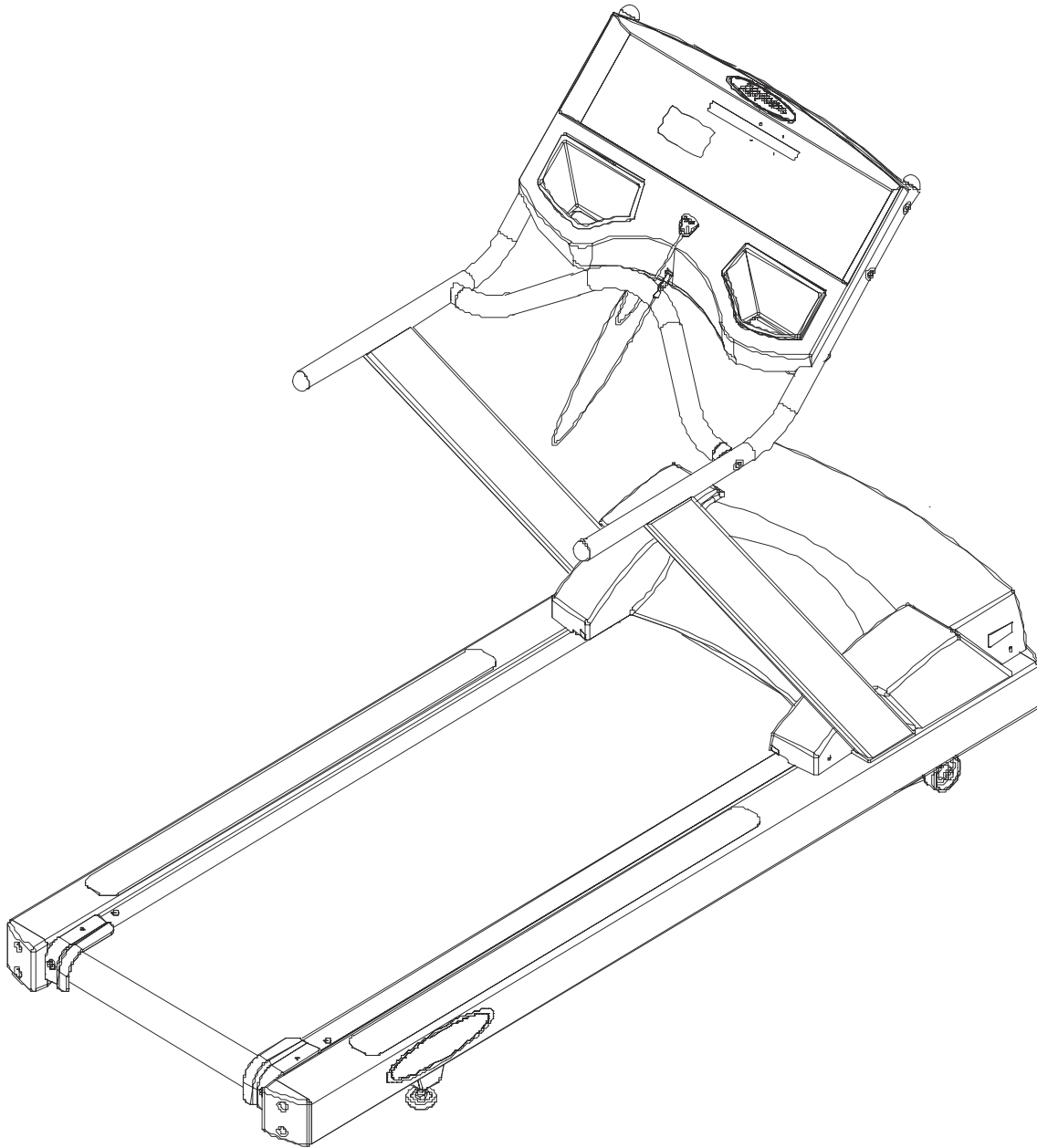


# LifeFitness

ARCTIC SILVER 90T-XXXX-02 TREADMILL



Customer Support Services  
**PARTS MANUAL** rev 17 Sep 2008

---

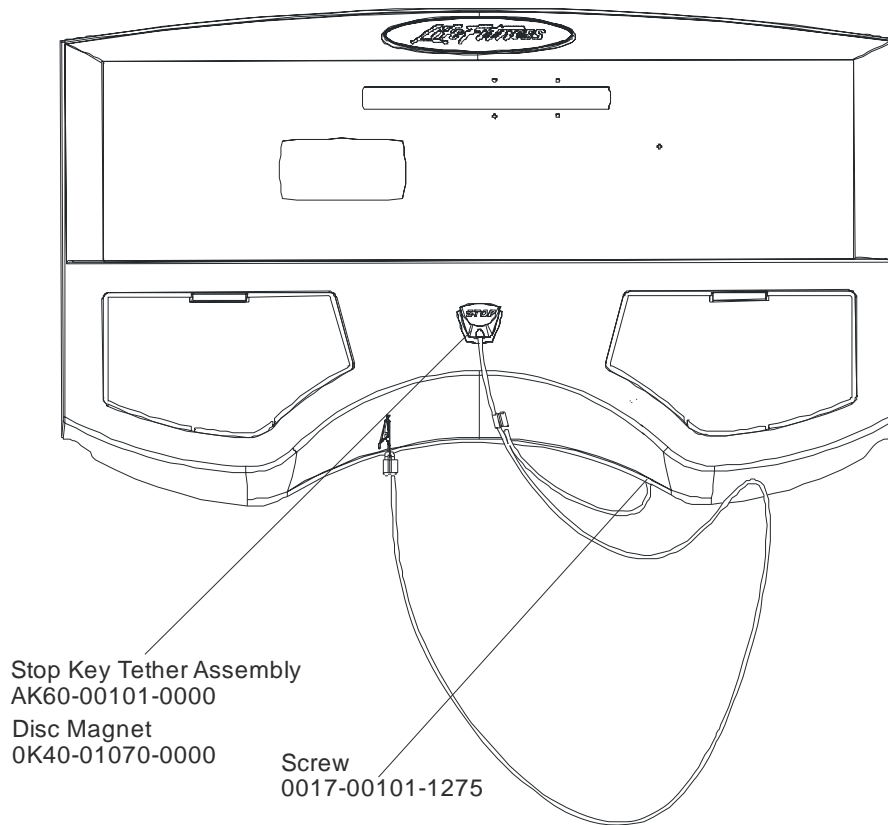
|  |    |
|--|----|
| Miscellaneous .....  | 3  |
| Console Assembly .....   | 4  |
| Motor Cover, Leveler and End Caps .....                        | 7  |
| Ergo Bar and Upright Assembly .....                            | 8  |
| Accessory Trays.....   | 9  |
| Belt, Deck, and Rollers.....                                   | 10 |
| LifeSprings and Anti-static Tinsel.....                        | 11 |
| Lift Frame Assembly .....                                      | 12 |
| Lift Motor and Home Switch.....                                | 13 |
| Drive Motor Assembly.....                                      | 14 |
| Wax Motor, Wax Bag, Wax Nozzle, and Wax Bracket Assembly ..... | 15 |
| Speed Sensor and Sensor Wheel Assembly .....                   | 16 |
| Rear Roller Guards .....                                       | 17 |
| DC Controller And On/Off Switch.....                           | 18 |
| Line Cord and Line Filter.....                                 | 19 |
| Cables.....  | 20 |

| Language   | Operation Manual* | Assembly Instruction* | Instruction Bag Assembly | Service Manual  |
|------------|-------------------|-----------------------|--------------------------|-----------------|
| English    | M051-00K60-A028   | M051-00K60-B024       | N/A                      | M051-00K60-A023 |
| French     | M051-00K60-A029   | M051-00K60-B025       | N/A                      |                 |
| Portuguese |                   |                       |                          |                 |
| Spanish    |                   |                       |                          |                 |
| Dutch      | M051-00K60-A030   | M051-00K60-B026       | N/A                      |                 |
| German     |                   |                       |                          |                 |
| Italian    |                   |                       |                          |                 |
| Japanese   | M051-00K60-A031   | M051-00K60-A027       | N/A                      |                 |

\*If available, operation manuals and assembly instructions are in PDF form only.

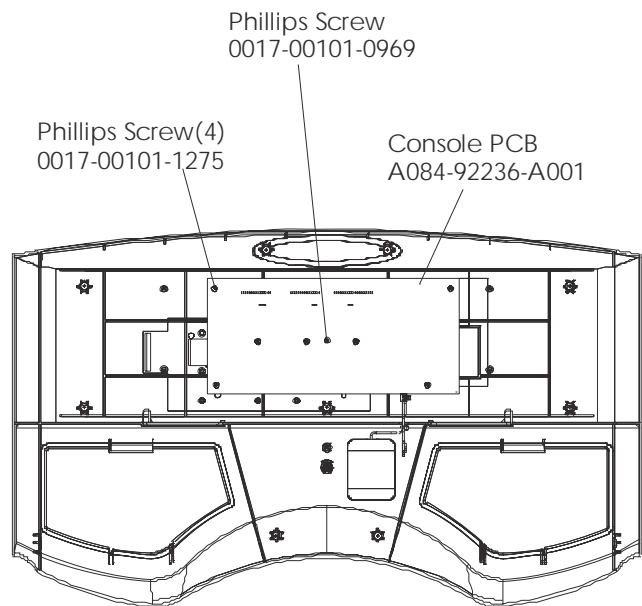
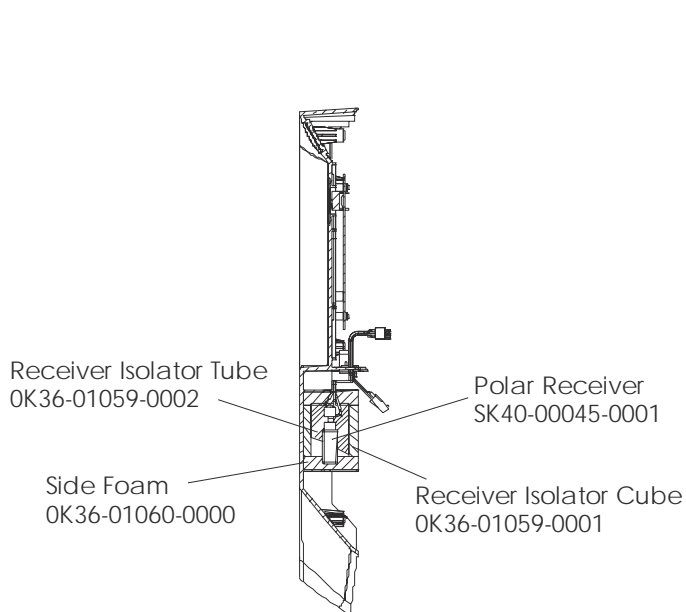
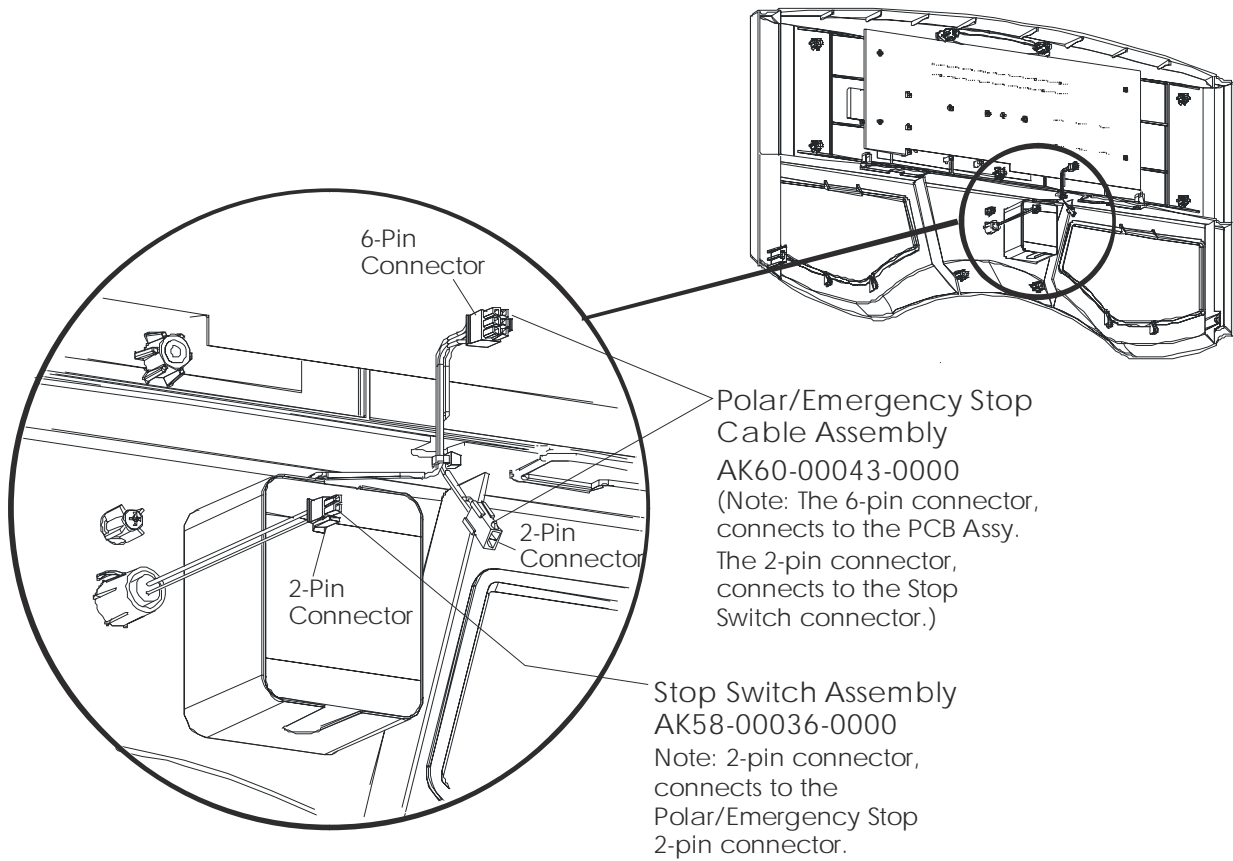
| AK60-00054-0002 |                                  | HDWR-BAG ASSY: MFG; 90T |
|-----------------|----------------------------------|-------------------------|
| Item            | Description                      | Qty                     |
| OK60-01098-0001 | END-CAP: SPHERE                  | 4                       |
| 0017-00042-1151 | RIVET: PLASTIC; REMOVABLE        | 5                       |
| 0017-00101-1256 | 3/8 -16X80 UNS HEX BLT G5 ZN B   | 4                       |
| 0017-00101-1767 | 1/4 -20X28 TRX BUT L CS G8 ZS B  | 4                       |
| 0017-00101-1768 | 1/4 -20X32 TRX BUT L CS G8 ZS B  | 2                       |
| 0017-00101-1776 | VMI 10-16X 8 PHL PAN B ST ZB B   | 10                      |
| 0017-00103-0188 | NUT 3/8 -16 LOCK-FLNGE D ST CD B | 4                       |
| 0017-00104-0464 | WSH 406-.734-064 FL-D ST ZS B    | 4                       |

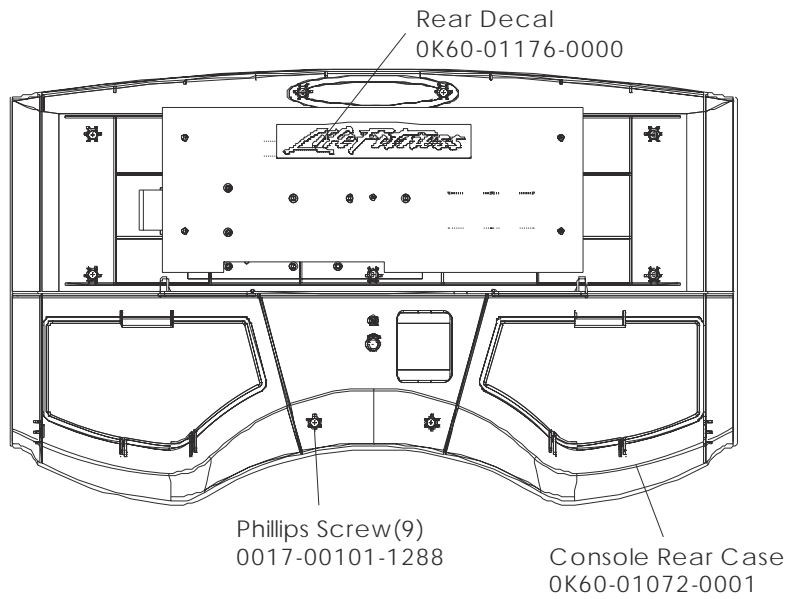
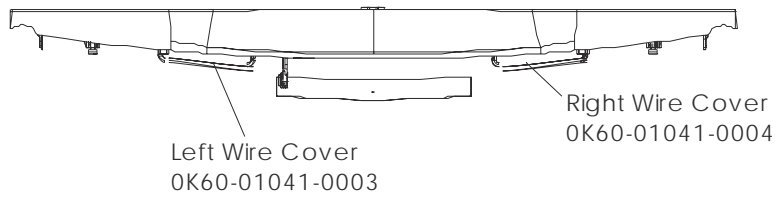
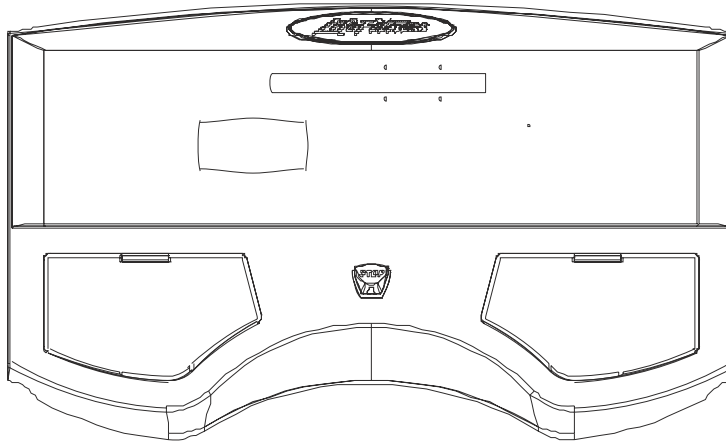
| Touch-up Paint  |                                    |     |
|-----------------|------------------------------------|-----|
| Item            | Description                        | Qty |
| 0017-00008-0204 | PAINT: CAN; SPRAY; ARCTIC SILVER B | 1   |
| 0017-00008-0205 | PAINT: BOTTLE; ARCTIC SILVER B     | 1   |
| 0017-00008-0206 | PAINT: STEALTH GREY; .6OZ. BTL. B  | 1   |

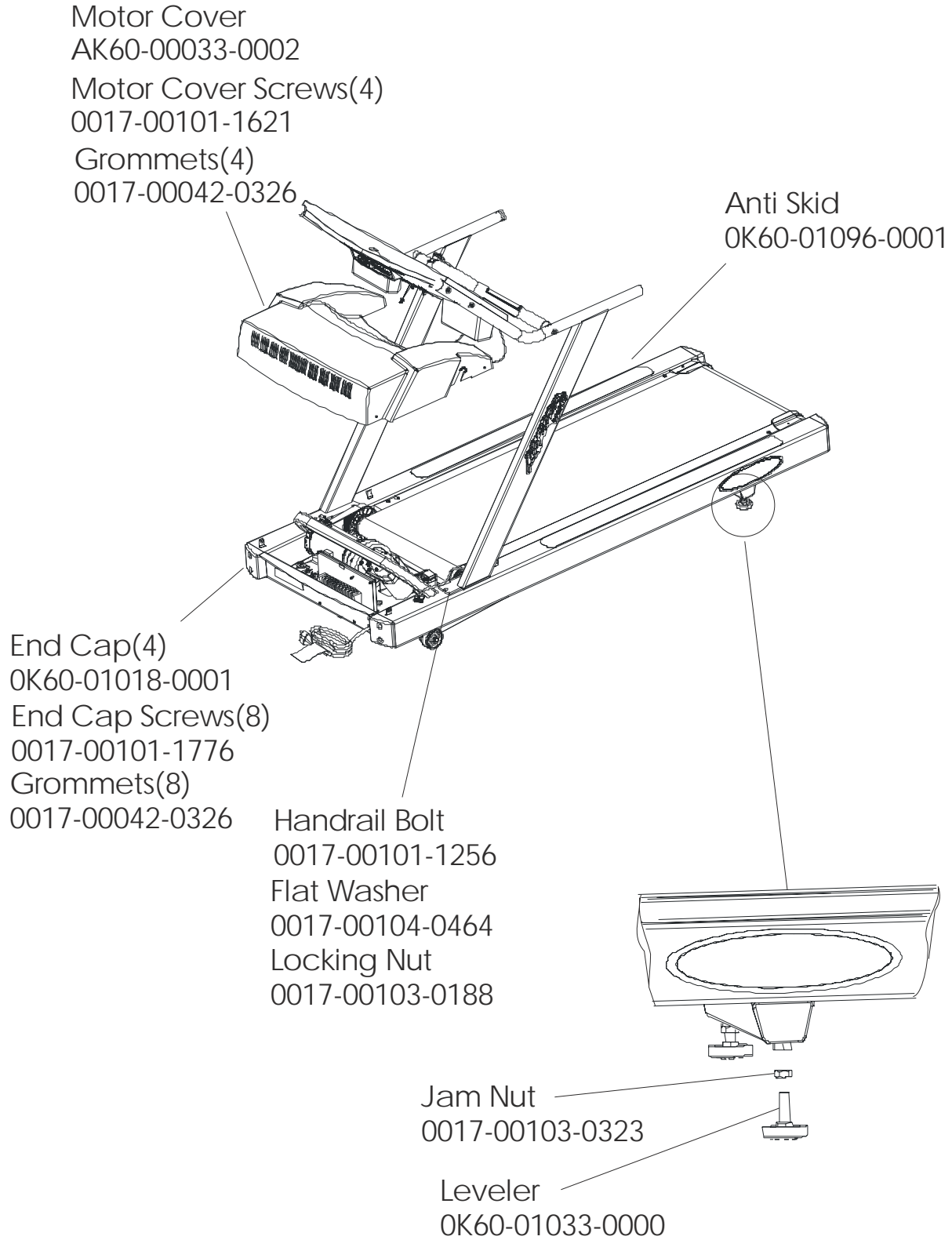


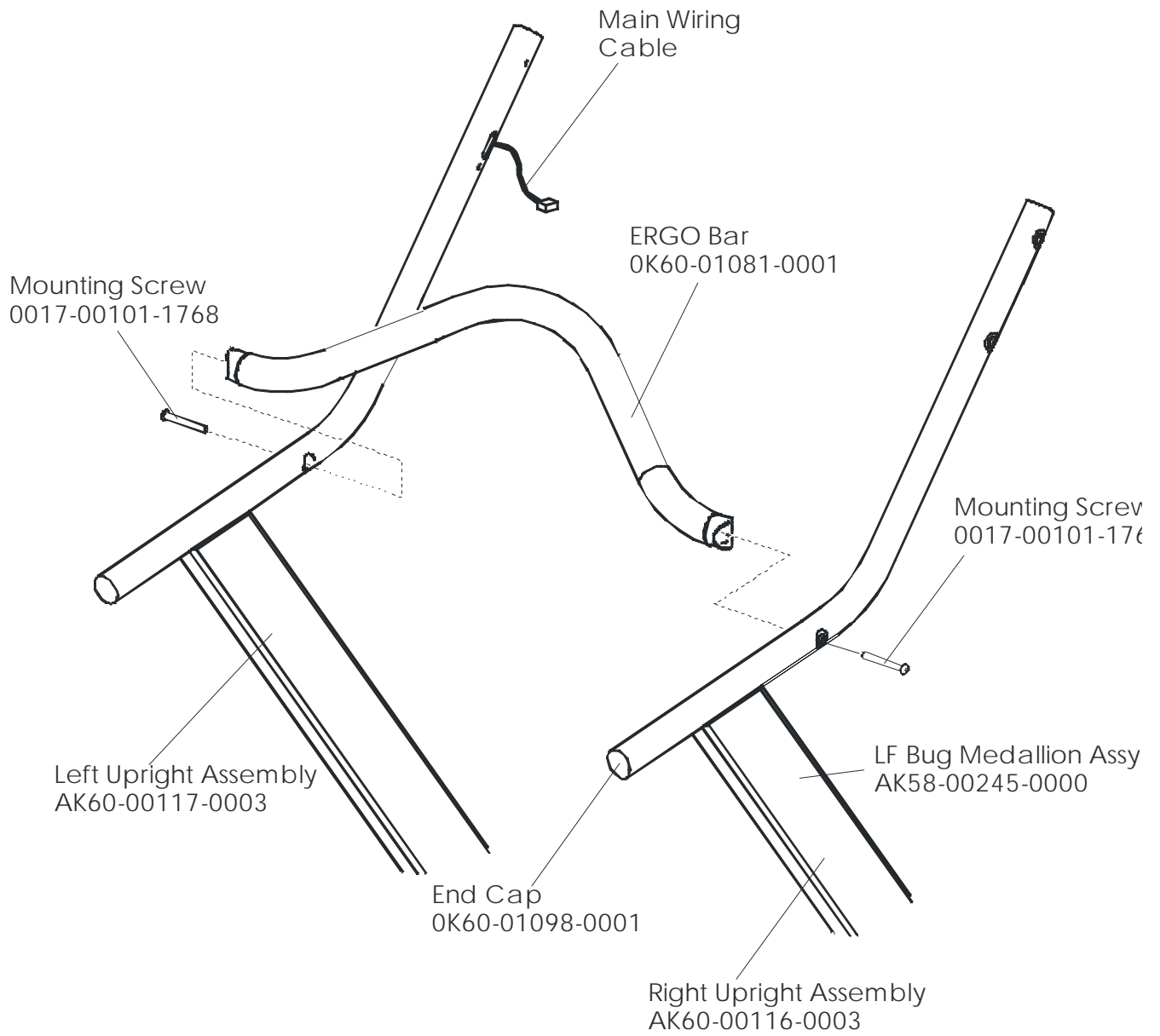
| Language   | Console*        | Overlay/Bezel Assembly* |
|------------|-----------------|-------------------------|
| ENG+MET    | AK60-00112-0001 | AK60-00109-0001         |
| GERMAN     | AK60-00112-0003 | AK60-00109-0003         |
| SPANISH    | AK60-00112-0004 | AK60-00109-0004         |
| JAPANESE   | AK60-00112-0006 | AK60-00109-0006         |
| FRENCH     | AK60-00112-0007 | AK60-00109-0007         |
| ITALIAN    | AK60-00112-0008 | AK60-00109-0008         |
| DUTCH      | AK60-00112-0009 | AK60-00109-0009         |
| PORTUGUESE | AK60-00112-0010 | AK60-00109-0010         |

\*Some consoles and overlay/bezel assemblies may be unavailable

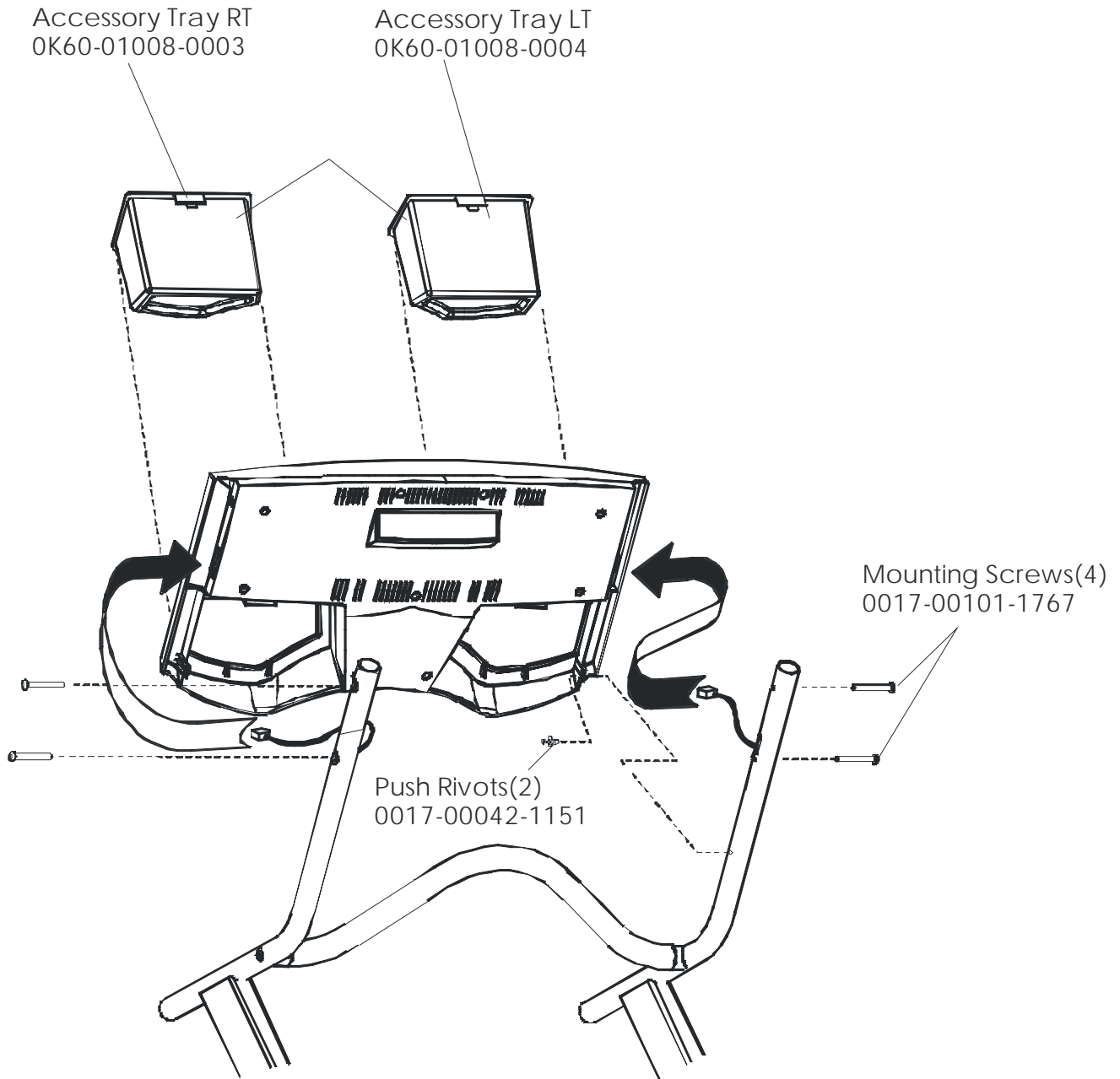




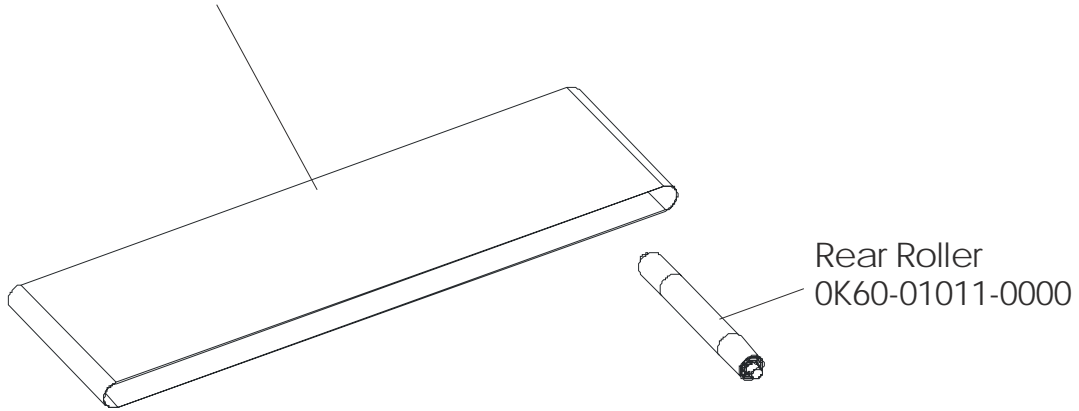






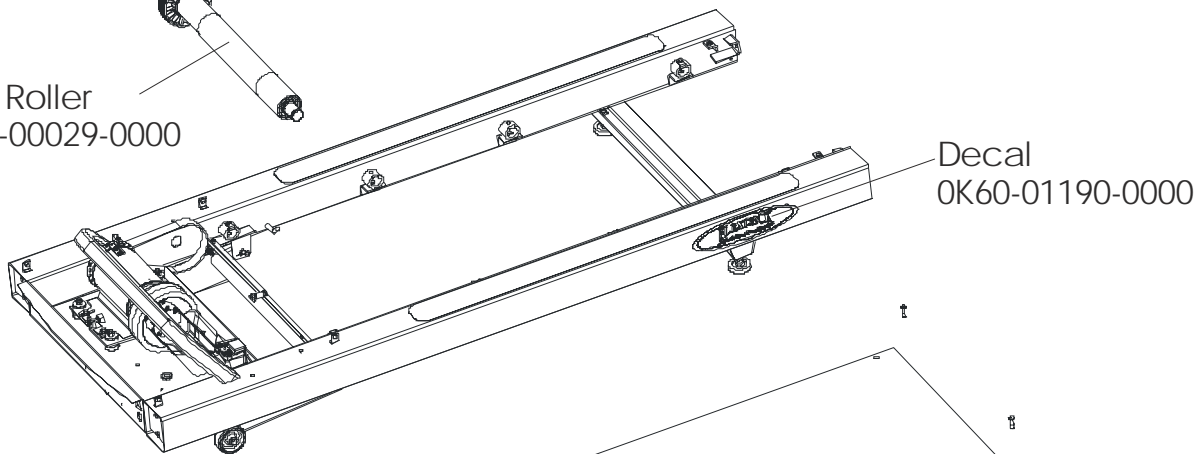


Striding Belt  
OK60-01024-0000 (All International)  
OK60-01024-0002 (Only 90T-0100 and 90T-0300)



Front Roller  
AK60-00029-0000

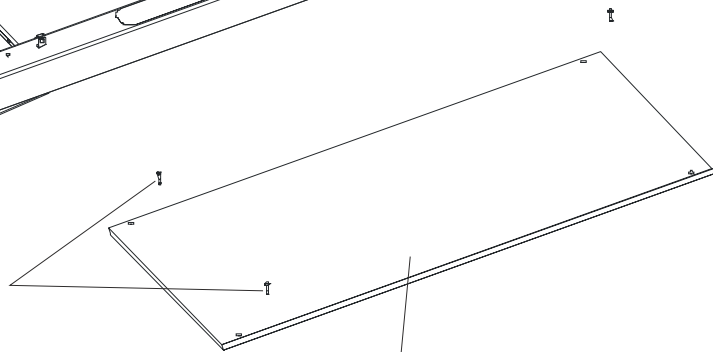
Rear Roller  
OK60-01011-0000



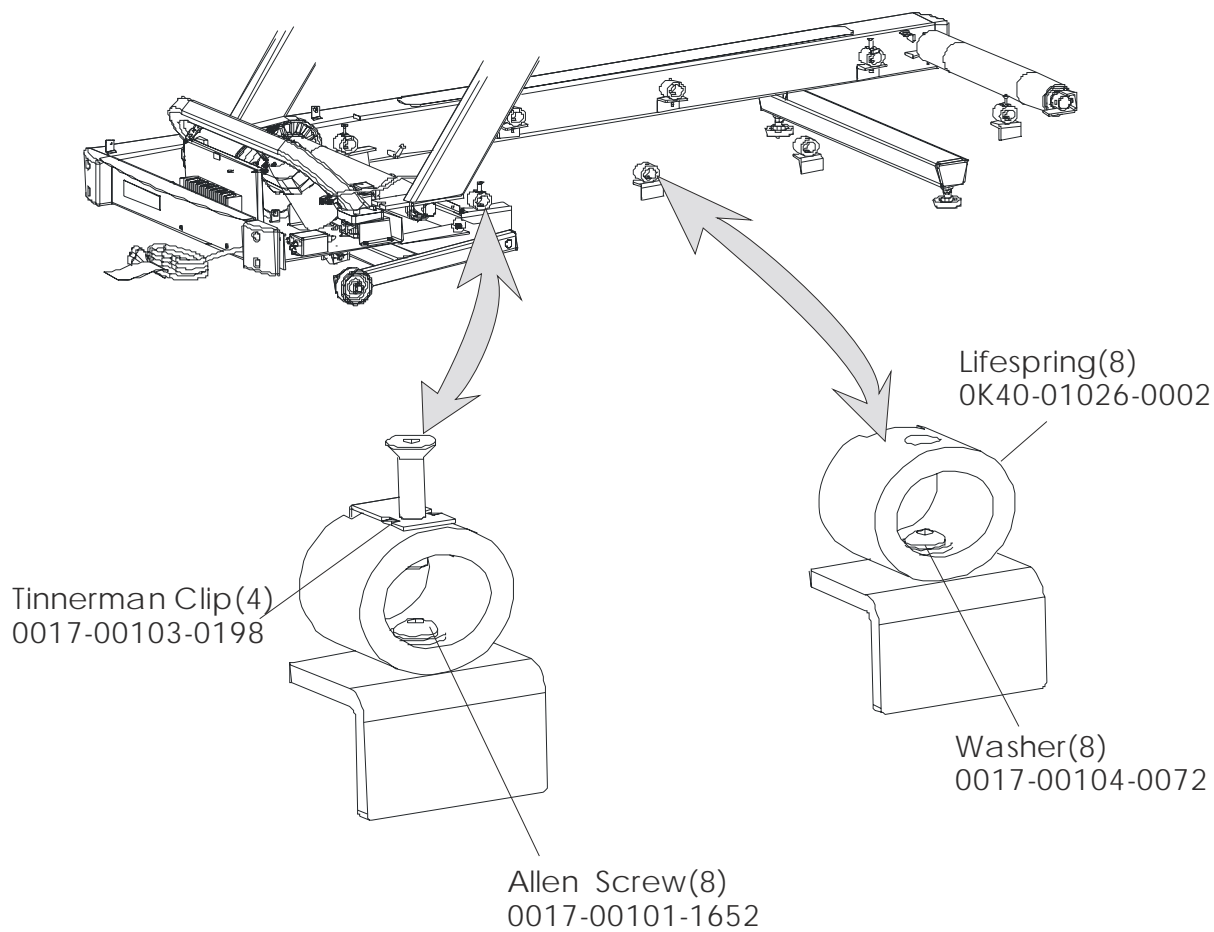
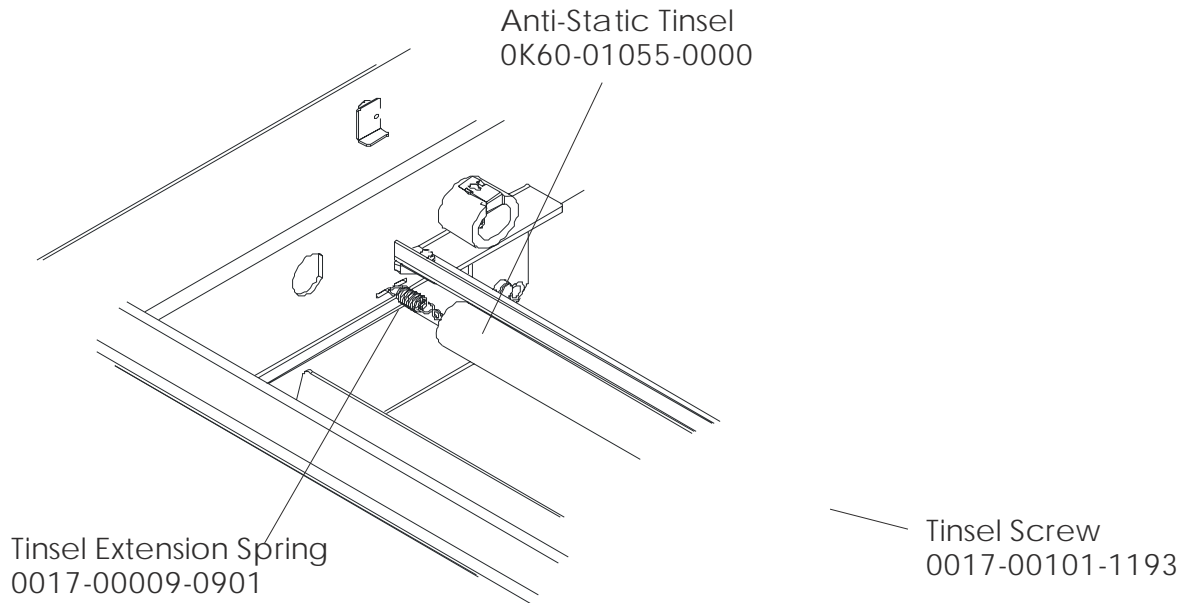
Front Roller  
AK60-00029-0000

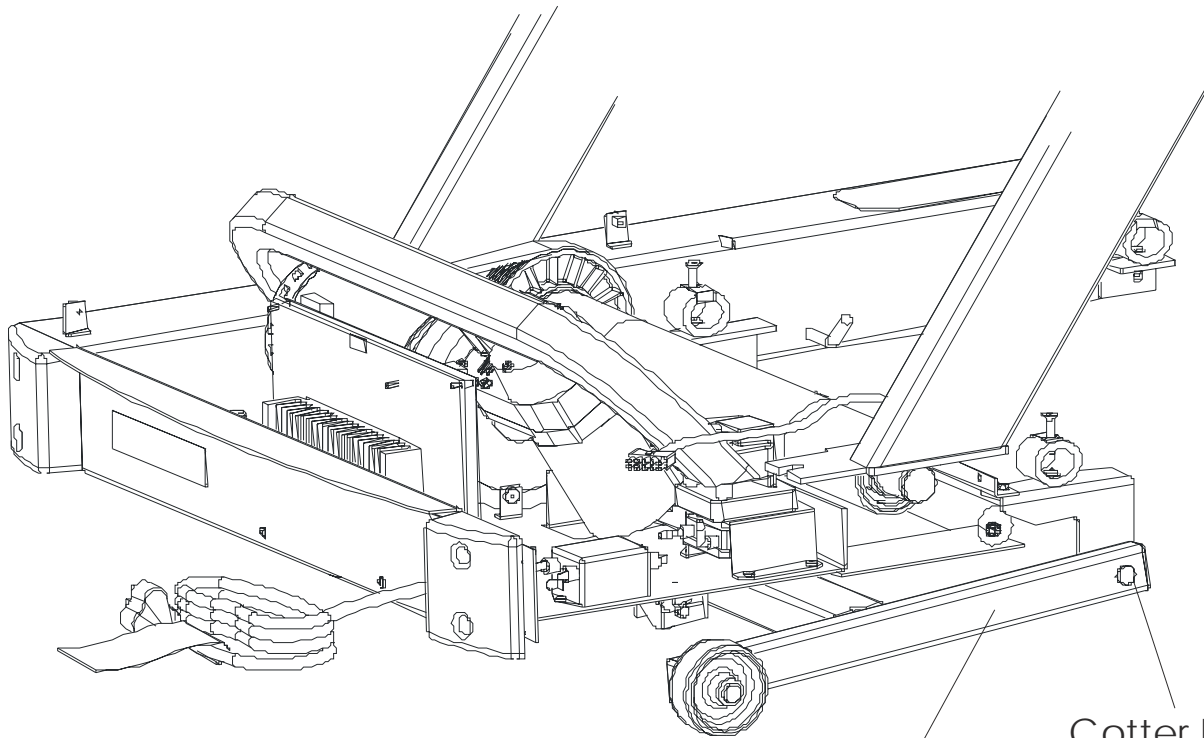
Decal  
OK60-01190-0000

Deck Screws(4)  
0017-00101-1775



Deck  
OK60-01022-0000



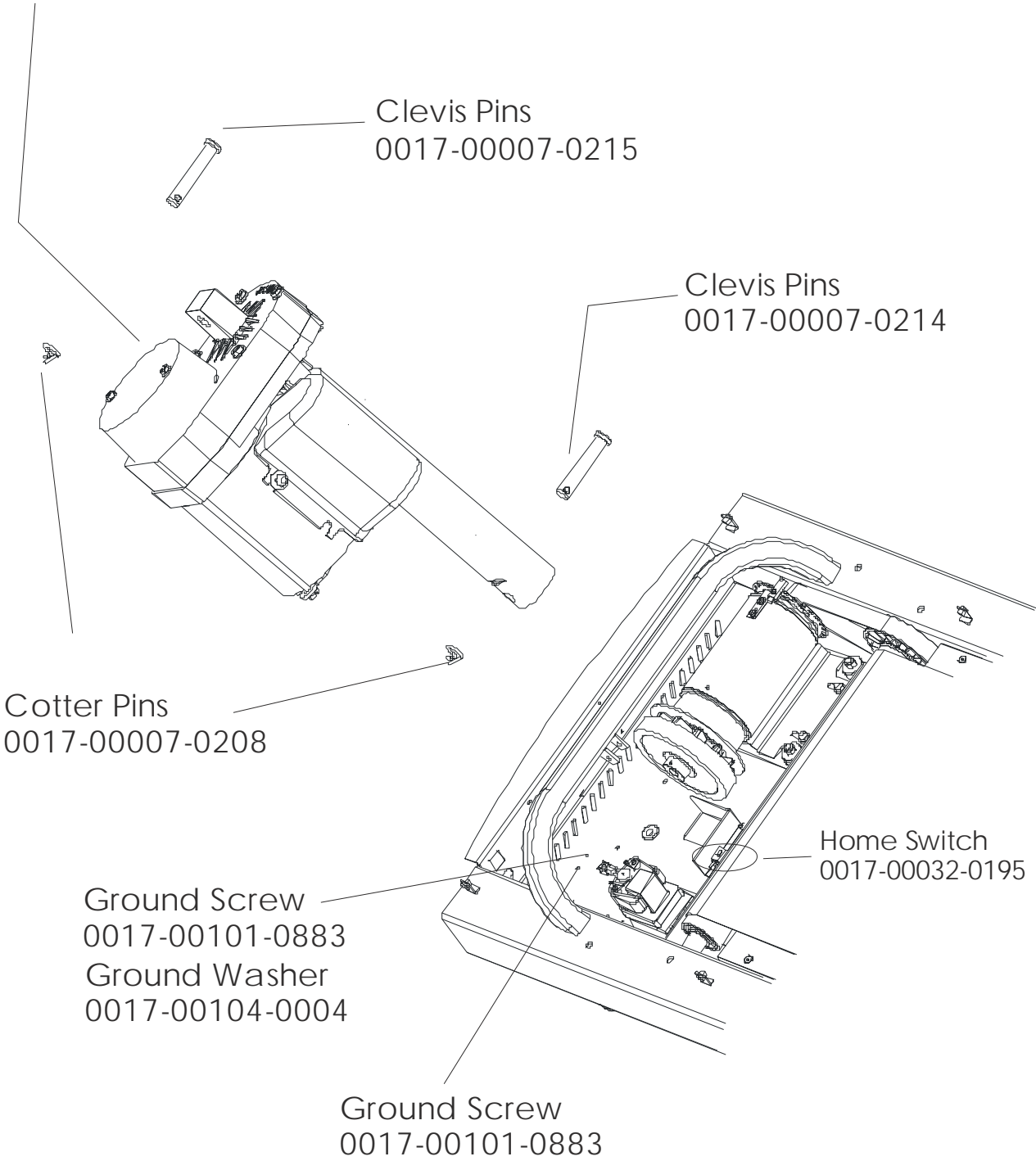


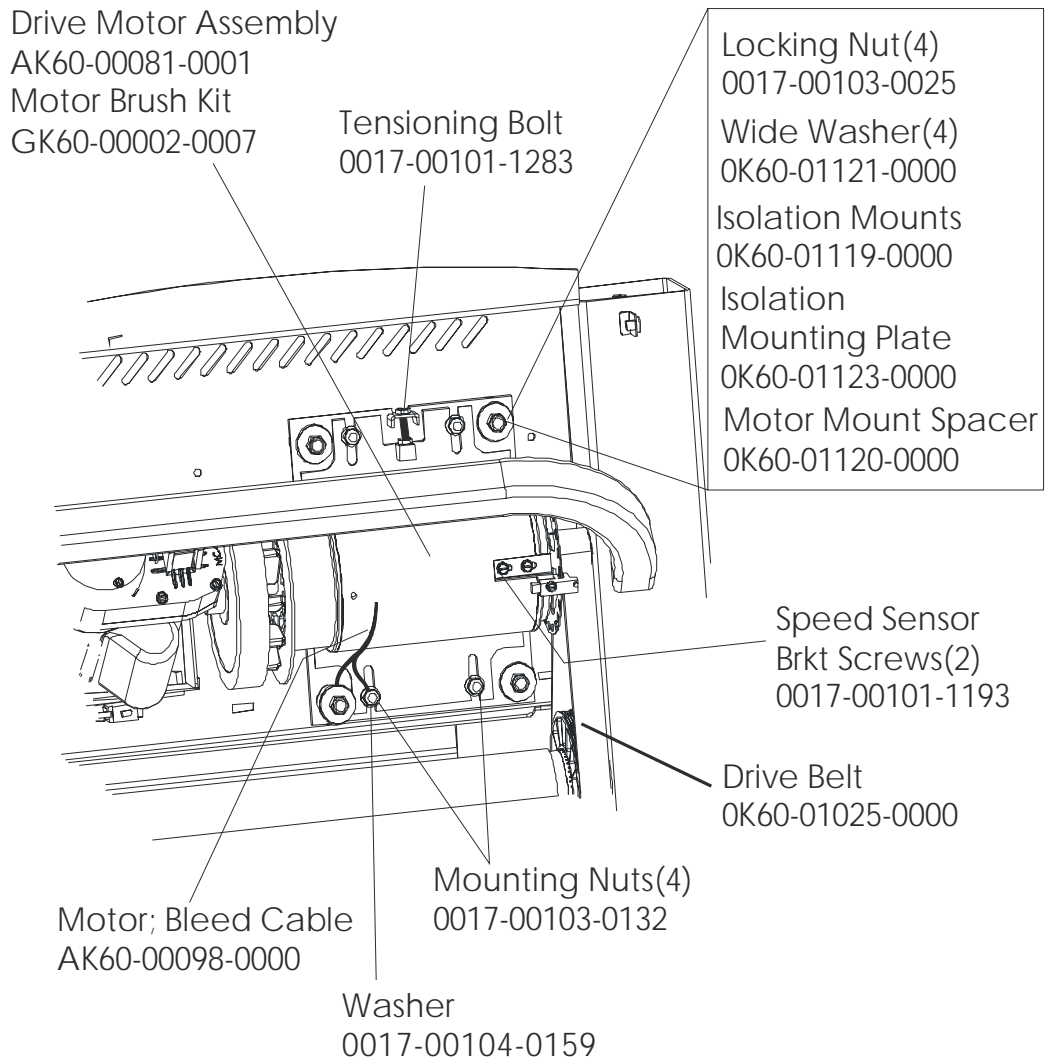
Wheel Assembly  
OK60-01020-0000  
Cap  
OK60-01092-0000  
Cotter Pin  
0017-00007-0208  
Clevis Pin  
0017-00007-0271

Lift Frame Assembly  
AK60-00065-0000

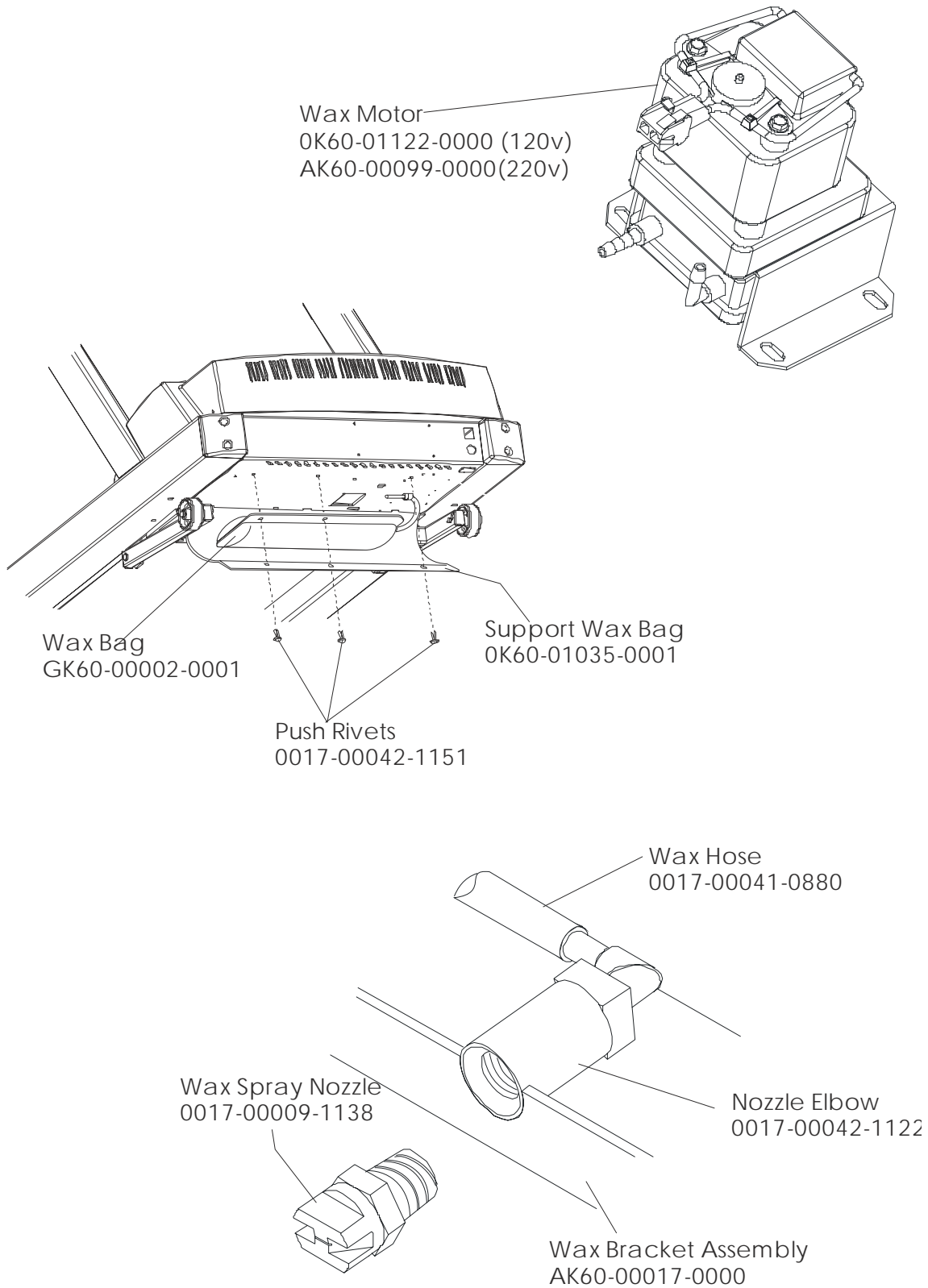
Cotter Pin  
0017-00007-0208  
Clevis Pin  
0017-00007-0270

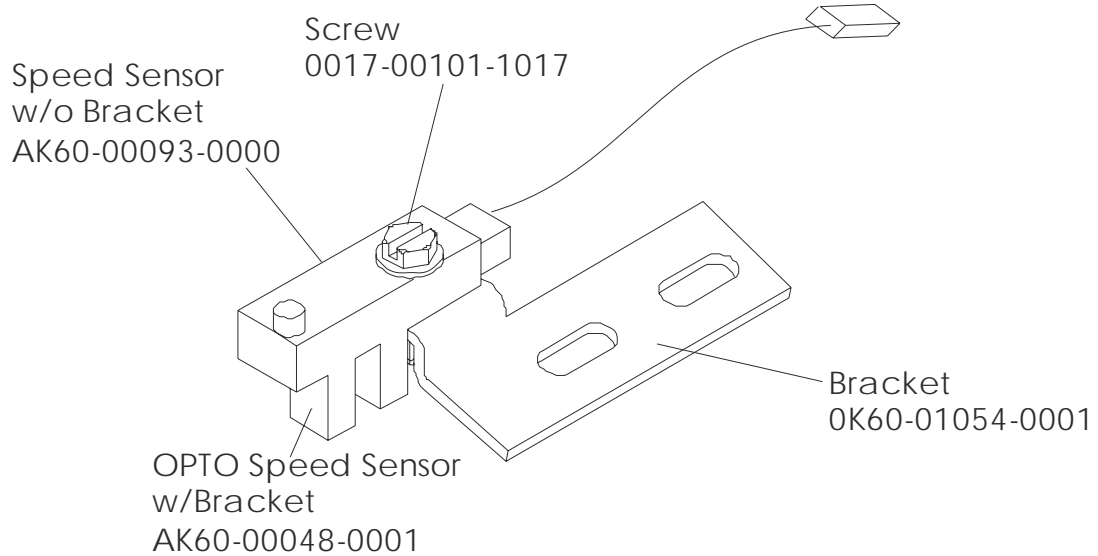
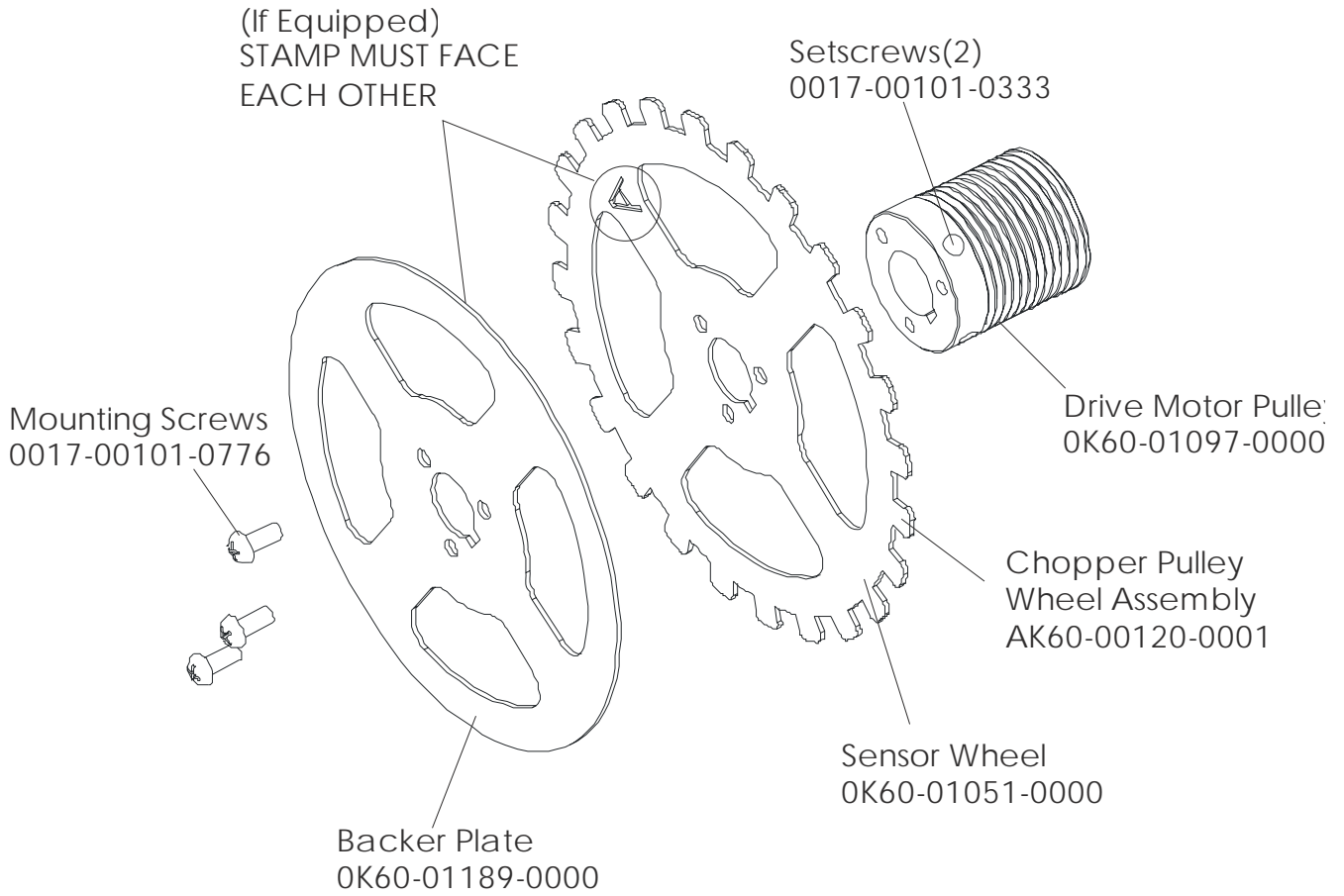
Lift Motor  
OK60-01094-0000 (120v)  
OK60-01166-0000(220v/60Hz)



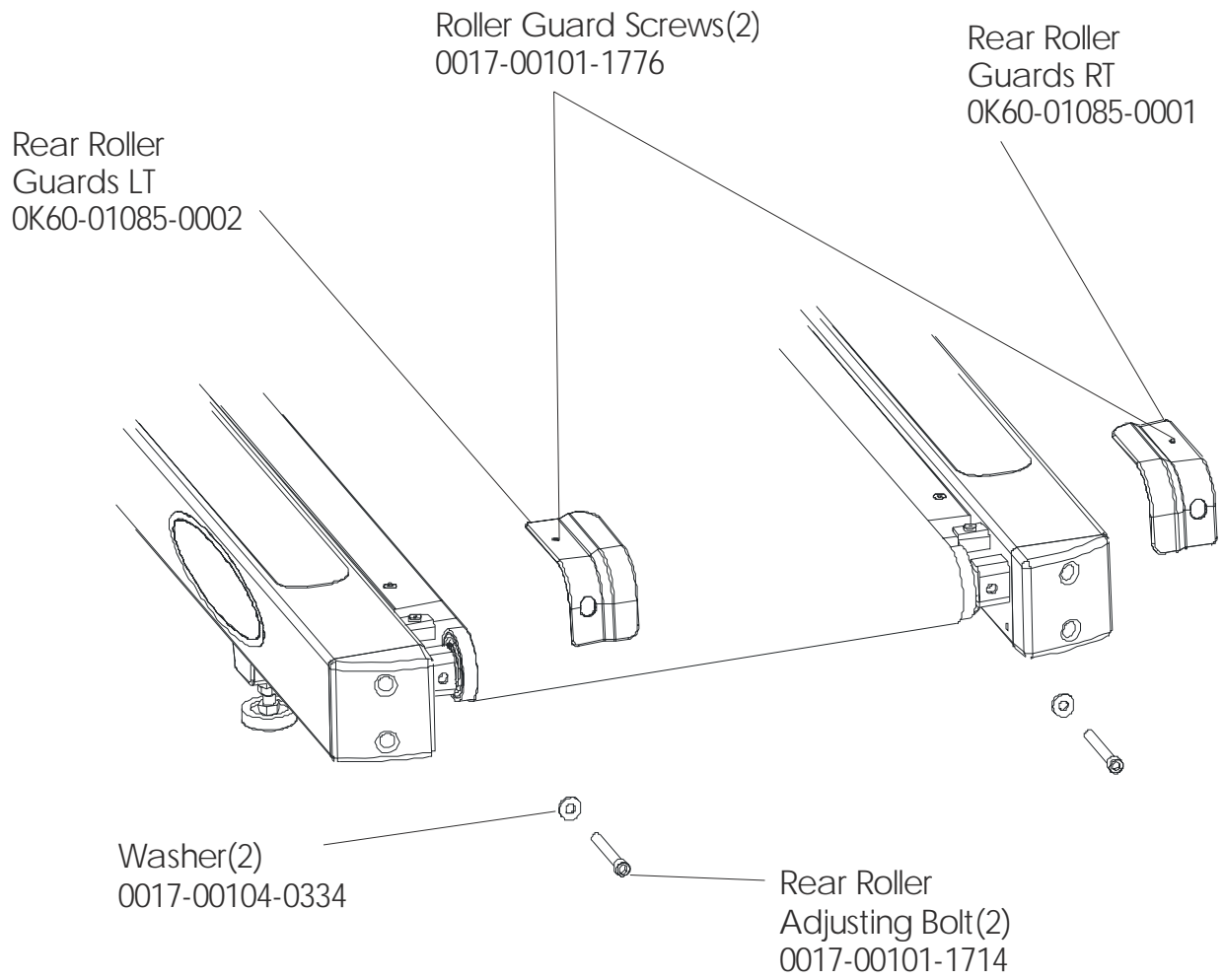


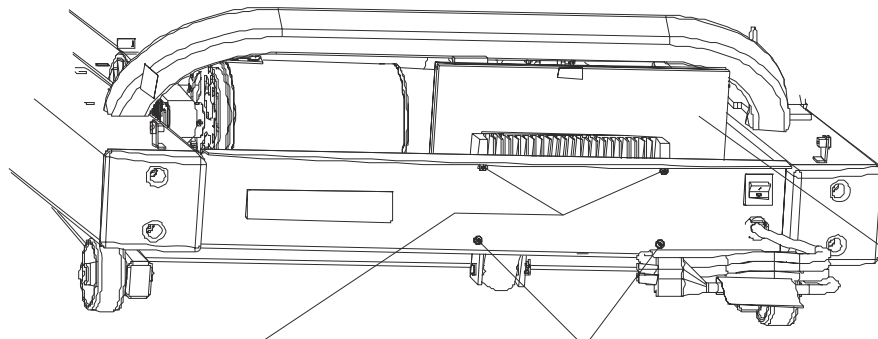
Not applicable for models 90T-0100 or 90T-0300







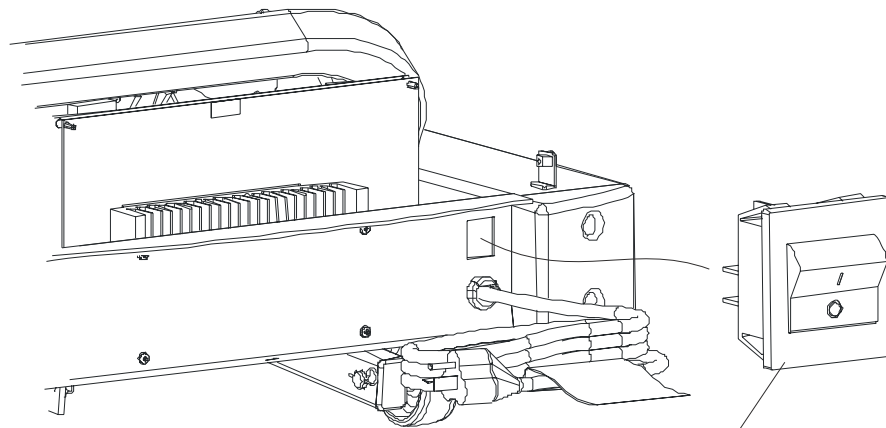




DC Controller Top  
Mounting Screws(2)  
0017-00101-0168  
Lock Washers(2)  
0017-00104-0460

DC Controller Bottom  
Mounting Screws(2)  
0017-00101-0162

DC Controller  
GK60-00002-0002  
100-120 Volts/50-60 Hz  
GK60-00002-0003  
200+ Volts/50-60 Hz



ON/OFF Switch  
0017-00032-0198

